

DESCRIPTION

The TLED-B series bollard's traditional design combined with a high performance LED light source and superior thermal management makes it an attractive, energy saving choice. Every aspect of the TLED-B series design has been engineered to provide an LED bollard that delivers optimum optical performance and longevity in an attractive, durable housing. The TLED-B housing uses a UV resistant powder coated finish to protect against the elements. Available 24 LED light engine with 27.5 total system watts delivers over 1000 initial lumens. The TLED-B bollard provides a wide spectrum of application options for lighting pedestrian walkways, retail entryways, as well as lighting sidewalks in schools, office buildings, and apartment complexes.

SPECIFICATIONS

Construction:

An extruded aluminum body features clean architectural lines with ample, integral mounting space for many optional accessories. The TLED-B's most important construction feature is its integrated thermal management, which allows for optimum performance and durability of the LED light engine without sacrificing design aesthetics. The TLED-B is completely sealed and gasketed and has tamper resistant hardware, making it a perfect choice for high traffic, vandal prone locations. TLED-B also incorporates a UV resistant, long lasting, polyester based powder coated finish.

Optics:

Our TLED-B series delivers exceptional light quality, efficiency and light distribution with an optical design that provides even light distribution. The TLED-B's textured silver, internal reflector is specifically designed to diffuse and distribute light where it is needed in the most efficient way possible.

Electrical:

The 24 LED SSL light engine in the TLED-B draws 27.5 watts total, including the driver. The TLED-B is powered by constant voltage control driver and provides a 100,000 hour rated life with 70% lumen maintenance, a 4700K CCT, and a CRI of ≥75. All drivers are Class 2 power supplies with input voltage range of 120VAC to 277VAC, providing a Class A EMI rating and a high power factor of ≥0.90. The TLED-B is suitable for operation in -40°F to 104°F (-40°C to 40°C) ambient conditions.

Thermal Management:

LEDLITElogic heat sinking technology moves heat away from the LEDs by utilizing a patent-pending "chimney" design that takes advantage of thermal convection dynamics maximizing system performance and delivering a 100,000 hour life with 70% lumen maintenance.

Environmentally Friendly Design:

TLED-B luminaires consume very little energy and provide long life in comparison to traditional lamp technologies. The TLED-B is RoHS (Restriction of Hazardous Substances) compliant and provides a significant reduction in KW load and carbon emissions.

Installation:

The TLED-B series features a sturdy base plate that is anchored with three J-bolts. The bollard body easily attaches to the base plate by three (3) tamper-resistant fasteners and the bollard top is attached to the body using three (3) more tamper-resistant fasteners.

Transient Protection System (Option: TP):

The LEDLITElogic optional transient protection device is designed to be used in conjunction with our LED drivers. The "-TP" option utilizes a 3-leaded device that protects Line-Ground, Line-Neutral, and Neutral-Ground in accordance with IEEE/ANSI C62.41.2 guidelines. The surge current rating of the "-TP" option is 10,000 amps.

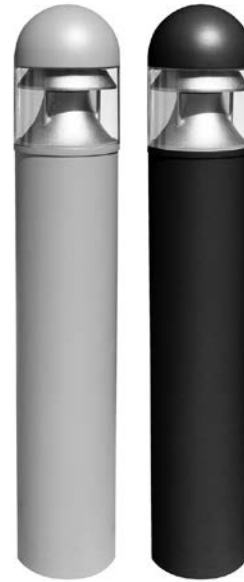
Testing & Compliance:

The reliability and performance of the TLED-B is evaluated in accordance with the parameters outlined and reported by LM-79 and LM-80 documents. Photometric data is tested to IESNA LM-79-08 standard by an independent testing laboratory. Lumen maintenance, or L70, a measure of long term reliability, is determined for the light source, which consists of the LED and PSB sub-assembly as installed in the luminaire, using LM-80 in-situ thermal and reliability data as provided by the LED manufacturer in accordance with DOE/EPA standards.

Warranty:

Any component that fails due to manufacturer's defect is guaranteed for 5 years. The warranty does not cover physical damage, abuse or acts of God. Manufacturer reserves the right to charge for such repairs if deemed necessary.

Model: _____ Date: _____
Accessories: _____
Job Name: _____ Type: _____



Specs at a Glance	
Wattage (w)	27.5
Lumens (lm)	1,012
Efficacy (LPW)	37
CCT	4700K
CRI	≥75
Optics	Type V Short Non Cut-Off
Input Voltage	120/277VAC
Warranty	5 Years
Certification	ETL Listed for Wet Locations, RoHS
Ambient Temp	-40°C to 40°C (-40°F to 104°F)

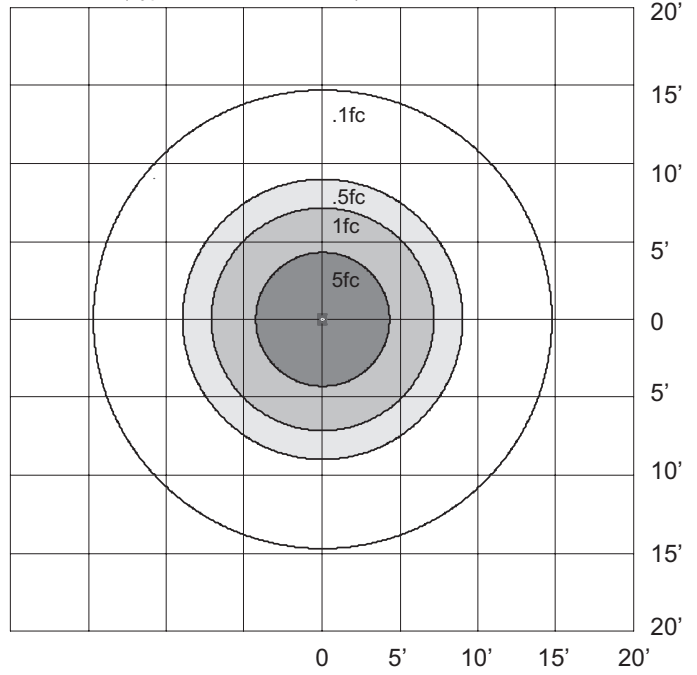
Fixture Performance

Part Number	Initial Lumens	Lumens per Watt (LPW)	Total Watts	L70 Hours @ 25°C	BUG Ratings
TLED-B-24-DT	1012	37	27.5	100,000	B1-U2-G1

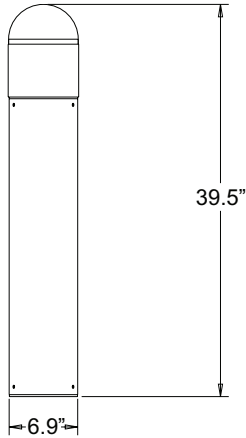
NOTE: Lumen maintenance and life (part of LM-80 data) are per published information from primary LED suppliers and is based on design operation at their specified thermal management and electrical design parameters.

Sample Photometrics

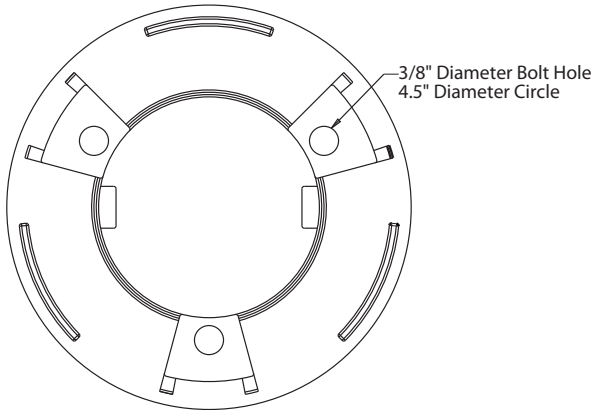
TLED-B-24 (Type V Short Non-Cutoff)



Dimensions



Mounting Template



Ordering Information

Example: TLED-B-24-DT-SLV-TP

Series	# of LEDs	Input Voltage	Finish	Options (Factory Installed)
TLED-B	24 = 24 LEDs	DT = 120/277VAC	BL = Black SLV = Silver	SZXXX ¹ = Single Line Side Fuse (Specify 120 or 277V) TP = Transient Protection System CC ² = Custom Color

Notes

¹ Specify voltage

² Consult factory for specific part number and details

Specifications are subject to change without notice. Installation must be performed in accordance with Barron Lighting Group installation instructions.

10800234 01/17