

Catalog Number \_\_\_\_\_  
 Type \_\_\_\_\_  
 Date \_\_\_\_\_  
 Prepared By \_\_\_\_\_  
 Project \_\_\_\_\_



**AFL**  
**18" Architectural LED Floodlight**

**IP65**



The AFL 18" architectural LED floodlights are designed to replace 250 to 400 watt MH, wall, pole, or ground mounted floodlights and area lights while saving 62% in energy costs and operating for up to 50,000 hours (13 years of nighttime use.) AFL is Dark Sky compliant when mounted horizontally.

**HOUSING / LENS / OPTICS** Die-cast aluminum housing in bronze finish with thermal shock and impact resistant tempered glass lens. Thermally efficient LED-specific housing with integrated heat sink fins provides for cooler operation and maximum LED operating life. Weatherproof silicone gasketing seals out contaminants. IP65 Rated. Sleek housing gives the AFL an EPA 2.0 sq. ft. and an EPA of .47 sq. ft. when mounted horizontally. The lens door is sealed with four stainless steel tamper-resistant Security Torx T35 screws and features a tempered glass lens sealed in silicone gasketing. Power supply compartment is separated from LED light engines. The AFL is full cutoff and produces zero uplight when mounted horizontally. Type V distribution.

**LED** Available in 2 light levels; 8600 lumens (116W) and 12,500 lumens (175W) at 4100K CCT; >80 CRI. LED operating life 50,000 hours L70. Light engines consist of 4 or 6 chip-on-board LED arrays mounted direct to thermally efficient aluminum housing.

**ELECTRICAL** 120-277 VAC power supplies with surge protection, >0.9 power factor. Power supply mounted in direct contact with aluminum housing for cooler operation and longer life. Drive current is 700 mA.

**ACCESS / WIRING** AFL comes fully wired with 36" L SOW 16/3 cord for quick and easy installation. Unit is standard with tamper-resistant Torx screws; see option T35 for Security Torx T35 screwdriver.

**MOUNTING** Wall or pole mounting. Side 1/2" NPT threads for bracket or yoke mounting. The recommended mounting height of the AFL 116W is 10 to 35 feet. AFL 175W recommended mounting height is up to 45'. Rigid and adjustable mounting accessories available.

**LISTINGS** UL Listed wet location.

**WARRANTY** 5 years

### AFL LED Floodlight Ordering Information

Series	Input Power	Color Temperature	Voltage	Mounting	Accessories
AFL	116 = 116W 175 = 175W	41 = 4100K	U1 = Universal 120-277V	MA3 = 2" adjustable slip fitter MA4 = small yoke mount PM6AFL = 6" horizontal pole mount PM10AFL = 10" horizontal pole mount TMAFL = 16" large heavy duty yoke mount	(x)P = Photo Control - Specify voltage (x): 1 = 120V; 2 = 277V (Twist lock receptacle & matching photocell supplied.) T35 = Security Torx 35 Screwdriver

### Rigid Mounting Accessories

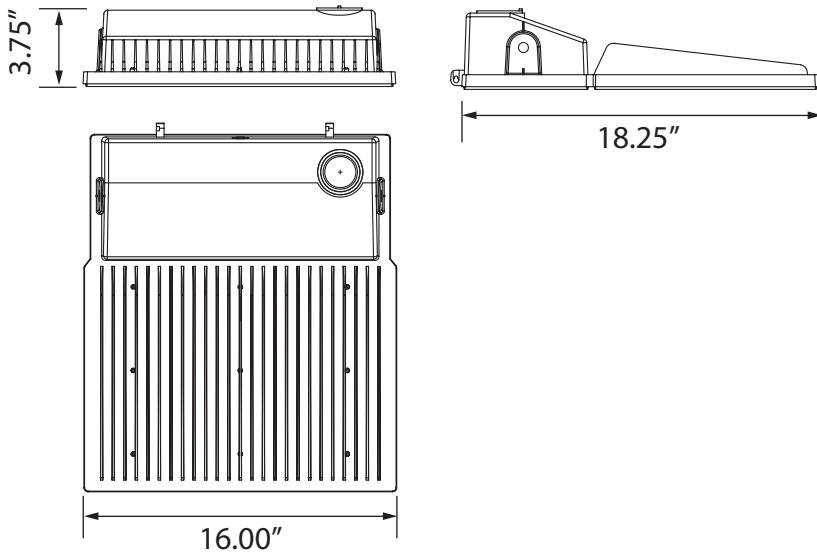
	<b>PM6AFL</b> 6" aluminum mounting arm in bronze finish. Attaches AFL fixtures to side of square pole in a fixed horizontal position for use as an area light. 5/16" tie rods thread into the housing from the outside and mount to pole using hex nuts, washers and cross bar. Mounting arm measures 6"L x 3"H x 3-1/2"W.
	<b>PM10AFL</b> 10" aluminum mounting arm in bronze finish. Attaches AFL fixtures to side of square pole in a fixed horizontal position for use as an area light. 5/16" tie rods thread into the housing from the outside and mount to pole using hex nuts, washers and cross bar. Mounting arm measures 10"L x 3"H x 3-1/2"W.

### Adjustable Mounting Accessories

	<b>MA3</b> 2" adjustable slip fitter
	<b>MA4</b> = small yoke mount
	<b>TMAFL</b> 16" wide, aluminum yoke mounting bracket in bronze finish. Use with AFL fixture in flood lighting applications. Attaches to the housing with with lag bolts.

### AFL 18" Architectural LED Floodlight

#### Dimensions



#### AFL Large Architectural LED Floodlight Performance

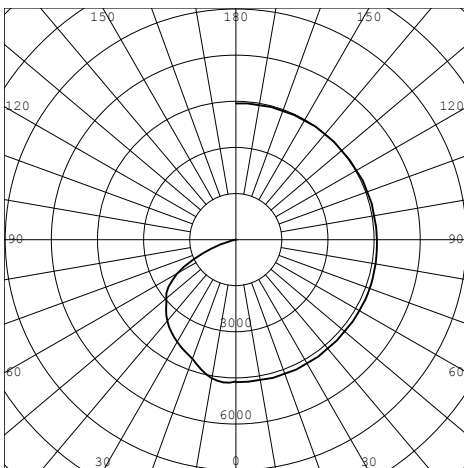
	Input Power	Light Output*	Mounting Height	Equivalent HID <sup>1</sup>
AFL1161U1**	116W	8,600 Lumens	10' to 35'	Replaces up to 250W MH
AFL17541U1**	175W	12,500 Lumens	30' to 45'	Replaces up to 400W MH

\*Delivered lumens

\*\*DesignLights Consortium Listed

<sup>1</sup> Consult a lighting engineer to meet specific requirements.

#### Photometric Data AFL175



#### ZONAL LUMEN SUMMARY (NOMINAL; TOTAL FIXTURE LUMENS 12393)

##### Forward Light (6240 lumens)

		Lumens
% Total Lumens	50.3	6240
Forward Low Zone (0 To 30 Degrees) %	14.5	1797
Forward Mid Zone (30 To 60 Degrees) %	28.4	3520
Forward High Zone (60 To 80 Degrees) %	7.4	917
Forward Very High Zone (80 To 90 Degrees) %	0.1	124

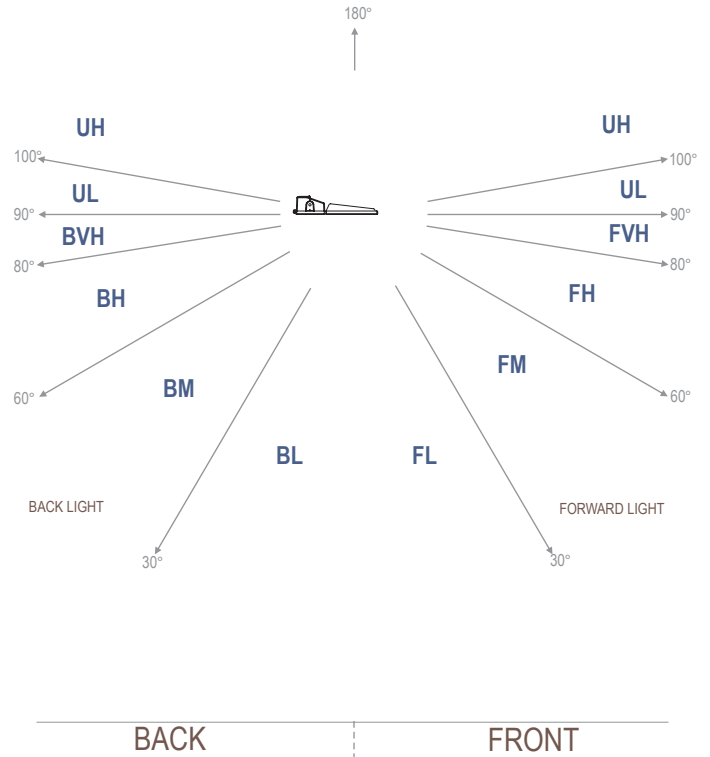
##### Back Light (6153 lumens)

		Lumens
% Total Lumens	49.7	6159
Back Light Low Zone (0 To 30 Degrees) %	14.4	1785
Back Light Mid Zone (30 To 60 Degrees) %	28.3	3507
Back Light High Zone (60 To 80 Degrees) %	6.9	855
Back Light Very High Zone (80 To 90 Degrees) %	0.1	124

IES BUG ratings (backlight, uplight, glare) Per IES TM-15-11

### AFL 18" Architectural LED Floodlight

AFL175		
	Lumens	Secondary Solid Angle Rating
<b>Back Light</b>		
BH (60-80 DEGREES)	851.9	B 2
BM (30-60 DEGREES)	3503.6	B 3
BL (0-30 DEGREES)	1789.4	B 3
<b>Up Light</b>		
UH (100-180 DEGREES)	0.1	U 1
UL (90-100 DEGREES)	0.0	U 0
<b>Glare Light</b>		
FVH (80-90 DEGREES)	11.6	G 1
BVH (80-90 DEGREES)	8.1	G 0
FH (60-80 DEGREES)	912.8	G 1
BH (60-80 DEGRESS)	851.9	G 1
IES BUG Rating: B3 U1 G1		



Flux distribution based on IESNA Luminaire Classification System  
Illustration depicts zone classification. See tables for fixture performance.